

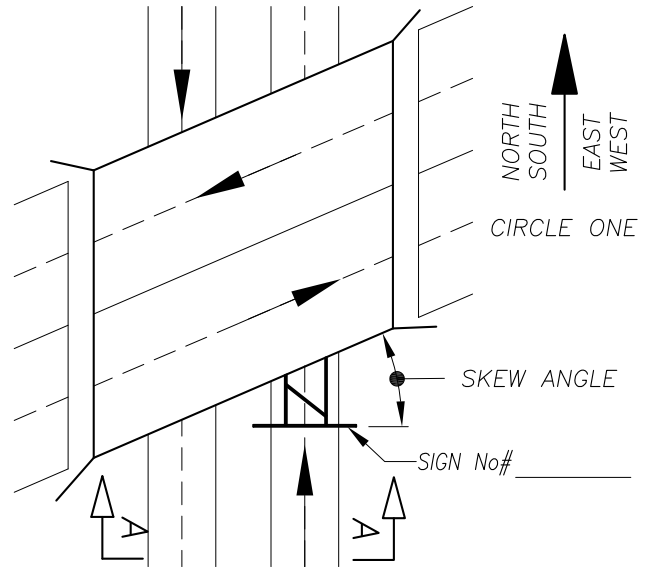
REQUIRED BRIDGE INFORMATION SHEET

- BRIDGE DRAWINGS (ESPECIALLY IF CURVED BRIDGE)
- BRIDGE ORIENTATION (NORTH DIRECTION)
- SKEW ANGLE RELATIVE TO RDWY
- RADIUS OF CURVATURE (IF CURVED BRIDGE)
- LOCATION OF DIAPHRAGMS (THEY WILL INTERFERE WITH SIGN BRACING)
- LOCATION OF SIGNS RELATIVE TO ROAD
- PARAPET DIM'S

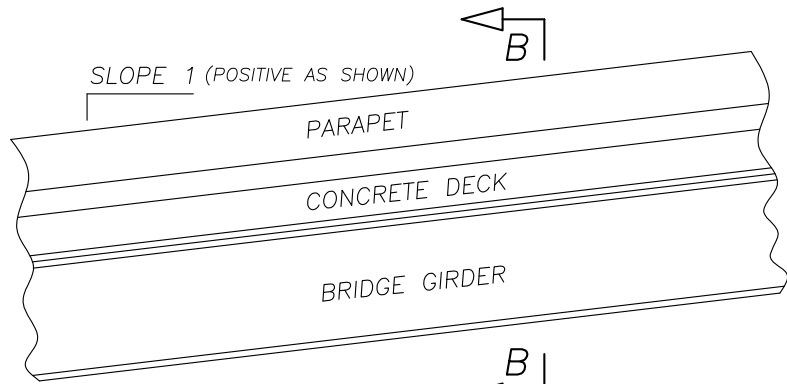
SLOPE 1 = \_\_\_\_\_  
 SLOPE 2 = \_\_\_\_\_  
 A = \_\_\_\_\_  
 B = \_\_\_\_\_  
 C = \_\_\_\_\_  
 D = \_\_\_\_\_  
 E = \_\_\_\_\_  
 F = \_\_\_\_\_  
 G = \_\_\_\_\_  
 H1 = \_\_\_\_\_  
 J = \_\_\_\_\_  
 K = \_\_\_\_\_  
 L = \_\_\_\_\_

GIRDER SIZE 1 & 2

\_\_\_\_\_ DEPTH "H1"  
 \_\_\_\_\_ DEPTH "H2"  
 \_\_\_\_\_ "M1"  
 \_\_\_\_\_ "M2"  
 \_\_\_\_\_ "M3"  
 \_\_\_\_\_ "M4"  
 \_\_\_\_\_ "M5"  
 \_\_\_\_\_ "M6"  
 \_\_\_\_\_ "M7"

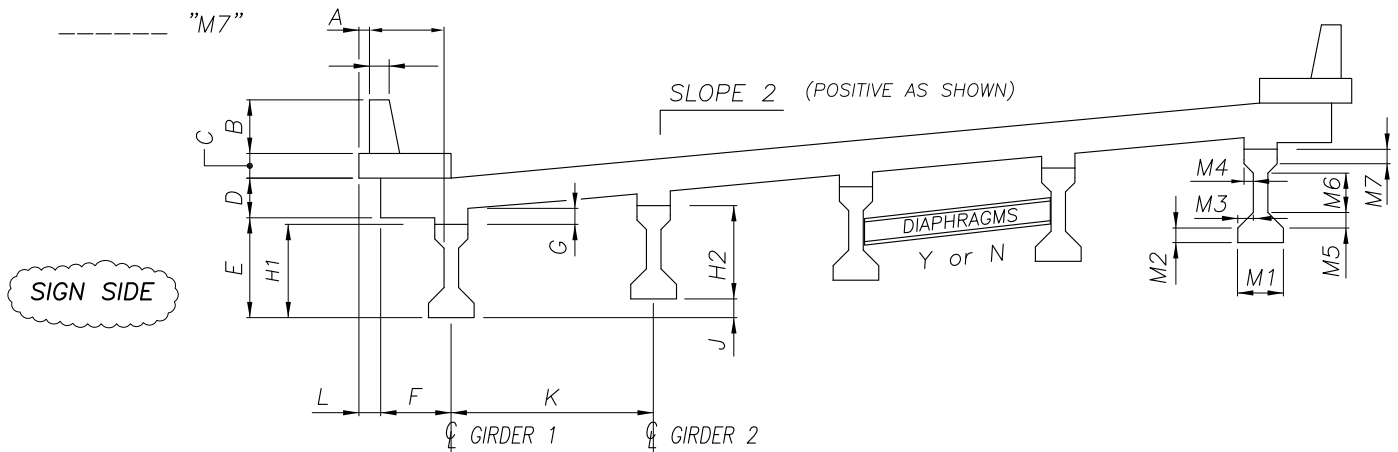


BRIDGE PLAN VIEW



BRIDGE ELEVATION (VIEW A-A)

(LOOKING IN DIRECTION OF SIGN)



BRIDGE CROSS SECTION

SECTION B-B